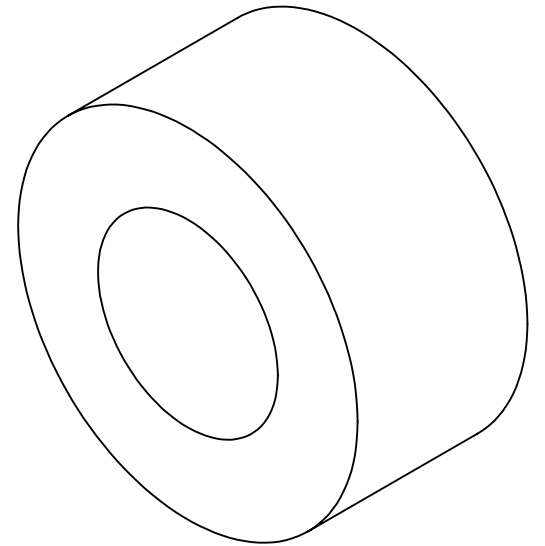
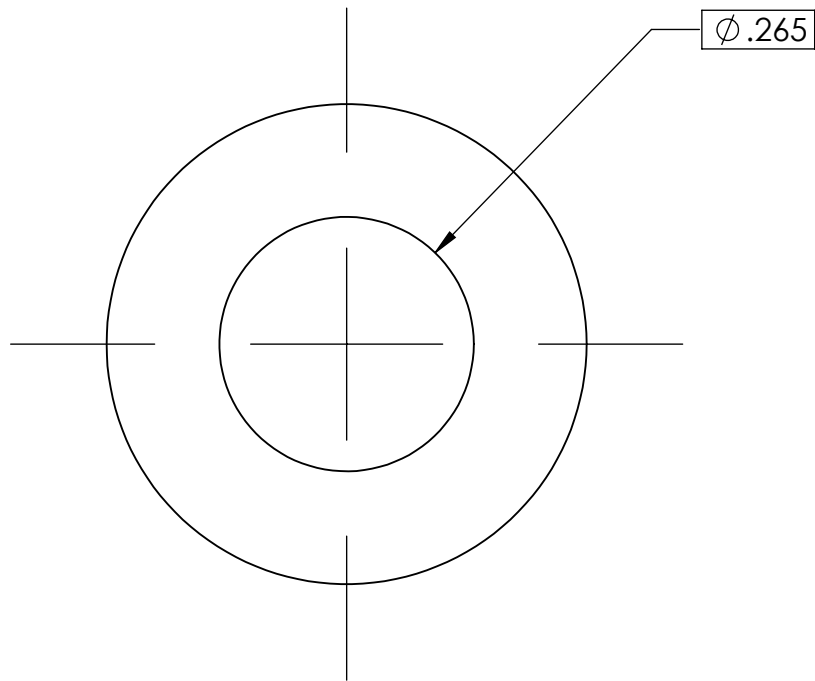


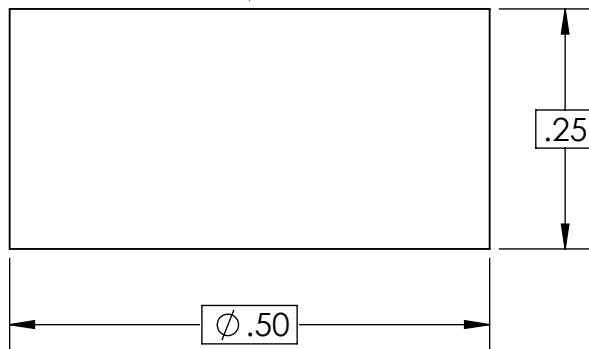
2 1

B



ISOMETRIC VIEW FOR REFERENCE ONLY

B



A

		UNLESS OTHERWISE SPECIFIED:		NAME	DATE
		DIMENSIONS ARE IN INCHES	DRAWN	DEJ	11/4/17
			CHECKED		
			ENG APPR.		
			MFG APPR.		
		INTERPRET GEOMETRIC TOLERANCING PER: ANSI Y14.5	Q.A.		
		MATERIAL ABS 3D PRINTED	COMMENTS:		
		FINISH N/A			
NEXT ASSY	USED ON				
APPLICATION		DO NOT SCALE DRAWING			

**PROPRIETARY AND CONFIDENTIAL**  
 THE INFORMATION CONTAINED IN THIS DRAWING IS THE SOLE PROPERTY OF <INSERT COMPANY NAME HERE>. ANY REPRODUCTION IN PART OR AS A WHOLE WITHOUT THE WRITTEN PERMISSION OF <INSERT COMPANY NAME HERE> IS PROHIBITED.

TITLE:  
**CLOSE RING**

SIZE <b>A</b>	DWG. NO. <b>2</b>	REV -
SCALE: 5:1	WEIGHT:	SHEET 1 OF 1

A

2

1